



## RZ-1 egg breaker

## Description

**Capacity:** 3200 eggs/hour

**Replaces:** 7 people

**Power supply:** 0.5 kW 230 V 1/N/PE 50/60 Hz  
0.5 kW 110 V 1/N/PE 50/60 Hz

**Dimensions:** 1466x740x1121 mm

**Minimal workspace:** 2500x2000 mm

**Compressed air:** n/a

**Weight:** 135 kg

**Water:** n/a

**Operated by:** 1 person

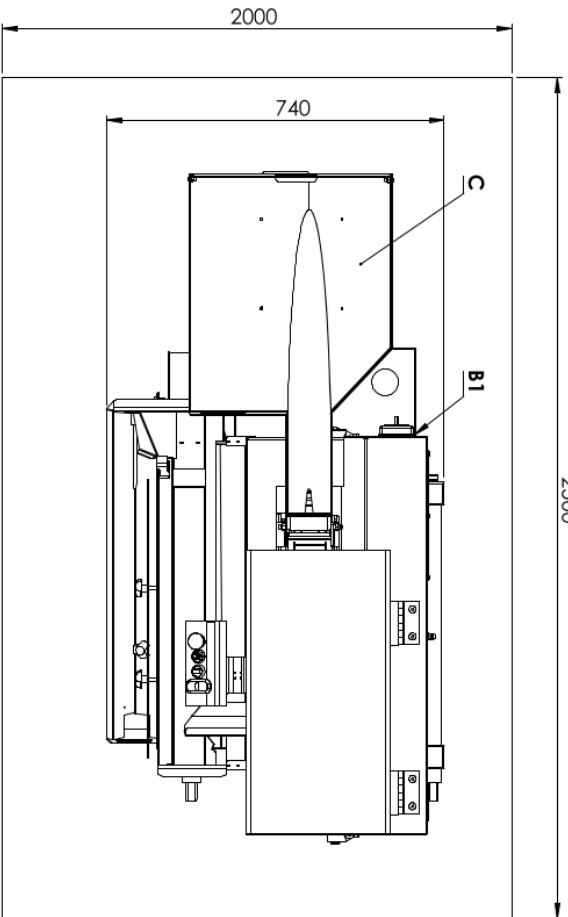
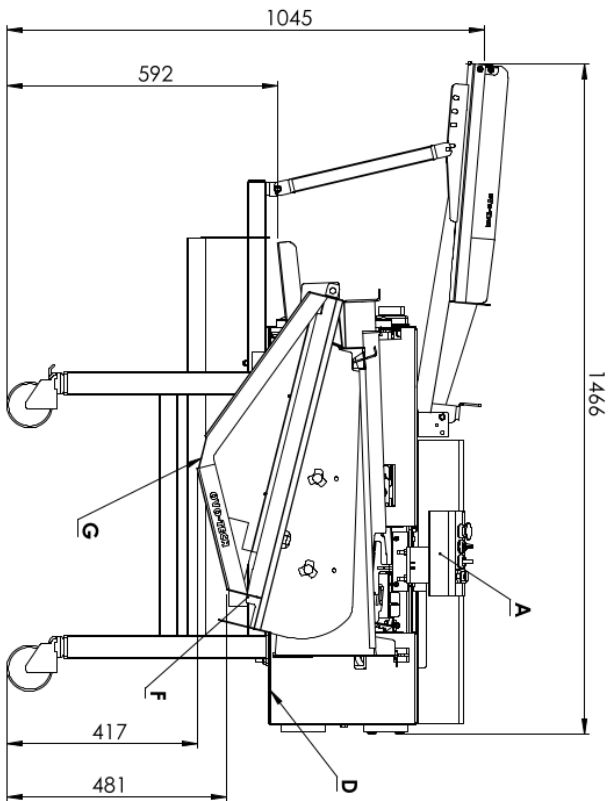
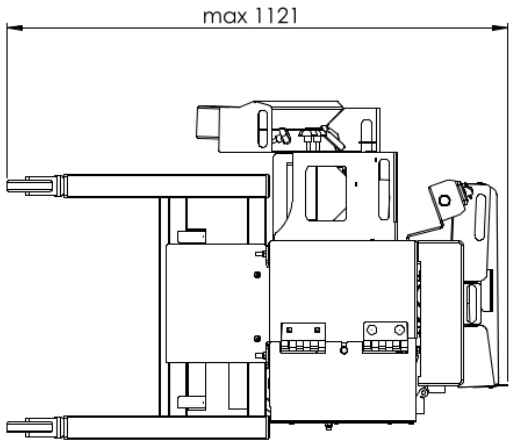
**Drain:** n/a

**Compatibility:** VEL-30, MT-1, UVC-1, ESS, UZS

The egg breaker imitates the work of human hands by cracking the eggshells with the use of special knives. Next, the cracked eggs slide down a separator, where yolks are separated from egg whites. This most hygienic egg breaking method is an innovation by OVO-TECH. The machine is made out of stainless steel EN 1.4301 (AISI 304).



DATE	05.01.2021	AUTHOR	ML
PROJECT	DOK-LAY-EN.D.2.1		



### RZ-1 egg breaker

<b>Typical workplaces:</b>	egg breaking facilities, bakeries, confectioneries, pasta making companies
<b>Capacity:</b>	3200 eggs/hour
<b>Power supply:</b>	0.5 kW 230 V 1/N/PE 50/60 Hz 0.5 kW 110 V 1/N/PE 50/60 Hz
<b>Water connection:</b>	N/A
<b>Compressed air connection:</b>	N/A
<b>Minimal workspace:</b>	2500 x 2000 mm
<b>Dimensions:</b>	1466 x 740 x 1121 mm
<b>Operated by:</b>	1 person
<b>Minimal wall clearance:</b>	the rear side - 600 mm
<b>Additional information:</b>	N/A
<b>A</b>	control panel
<b>B1/B2/B3</b>	connection: electrical/water/air
<b>C</b>	eggs input
<b>D</b>	eggs/whites outlet
<b>E</b>	egg yolks outlet
<b>F</b>	egg white outlet
<b>G</b>	



All rights reserved  
 The use of this product, including  
 its reproduction, is the sole property of OVO-TECH.  
 Any use of this product, including  
 its reproduction, without OVO-TECH's  
 permission is strictly prohibited.