



## UDTJ-150 centrifugal egg cracker

## Description

**Capacity:** 20 000 eggs/hour

**Replaces:** 15 people

**Power supply:** 1.1 kW 400 V 3/N/PE 50/60 Hz  
1.1 kW 230 V 3/N/PE 50/60 Hz  
1.1 kW 110 V 1/N/PE 50/60 Hz

**Dimensions:** 643x697x907 mm

**Minimal workspace:** 1500x1500 mm

**Compressed air:** n/a

**Weight:** 80 kg

**Water:** n/a

**Operated by:** 1 person

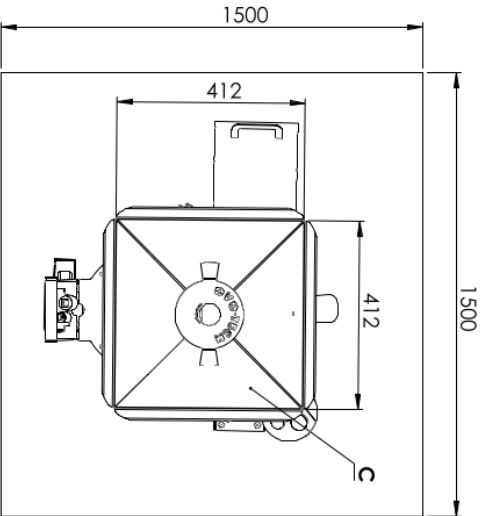
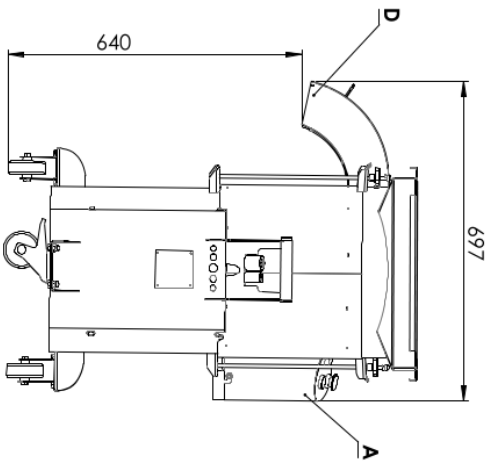
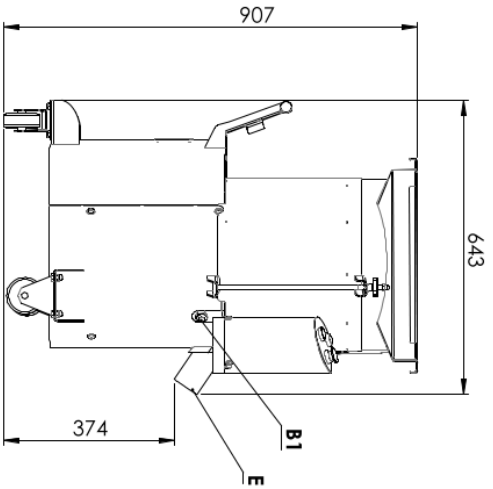
**Drain:** n/a

**Compatibility:** MT-1/3/6, UVC-1/3/6, PS-UDTJ, FS

The UDTJ-150 is an automatic centrifugal egg cracker which produces fresh liquid egg. After filling the hopper with eggs, the eggs are cracked and the eggshells are filtered out with the use of a special rotating filter with a mesh size of 0.8 mm. Clean egg liquid is then transported to a placed container, and eggshells are automatically removed from the machine. The machine is made out of stainless steel EN 1.4301 (AISI 304).



DATE	05.01.2021	AUTHOR	ML
PROJECT	DOK-LAY EN.B.2.1		



**UDT1-150 centrifugal egg cracker**

<b>Typical workplaces:</b>	egg breaking facilities, bakeries, confectioneries, pasta making companies
<b>Capacity:</b>	20000 eggs/hour
<b>Power supply:</b>	1.1 kW 400 V 3/N/PE 50/60 Hz 1.1 kW 230 V 3/N/PE 50/60 Hz 1.1 kW 110 V 1/N/PE 50/60 Hz
<b>Water connection:</b>	N/A
<b>Compressed air connection:</b>	N/A
<b>Minimal workspace:</b>	1500 x 1500 mm
<b>Dimensions:</b>	643 x 697 x 907 mm
<b>Operated by:</b>	1 person
<b>Minimal wall clearance:</b>	the rear side - 600 mm
<b>Additional instructions:</b>	N/A
<b>A</b>	control panel
<b>B1/B2/B3</b>	connection: electrical/water/air
<b>C</b>	eggs input
<b>D</b>	eggs/whites outlet
<b>E</b>	egg yolks outlet
<b>F</b>	egg white outlet
<b>G</b>	egg white outlet



All rights reserved  
 The design and development of this machine is the sole property of OVO-TECH.  
 Any use of this product, including reproduction, without the written permission is strictly prohibited.